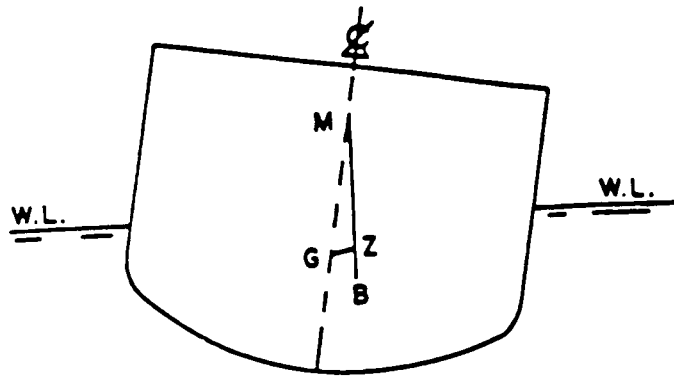
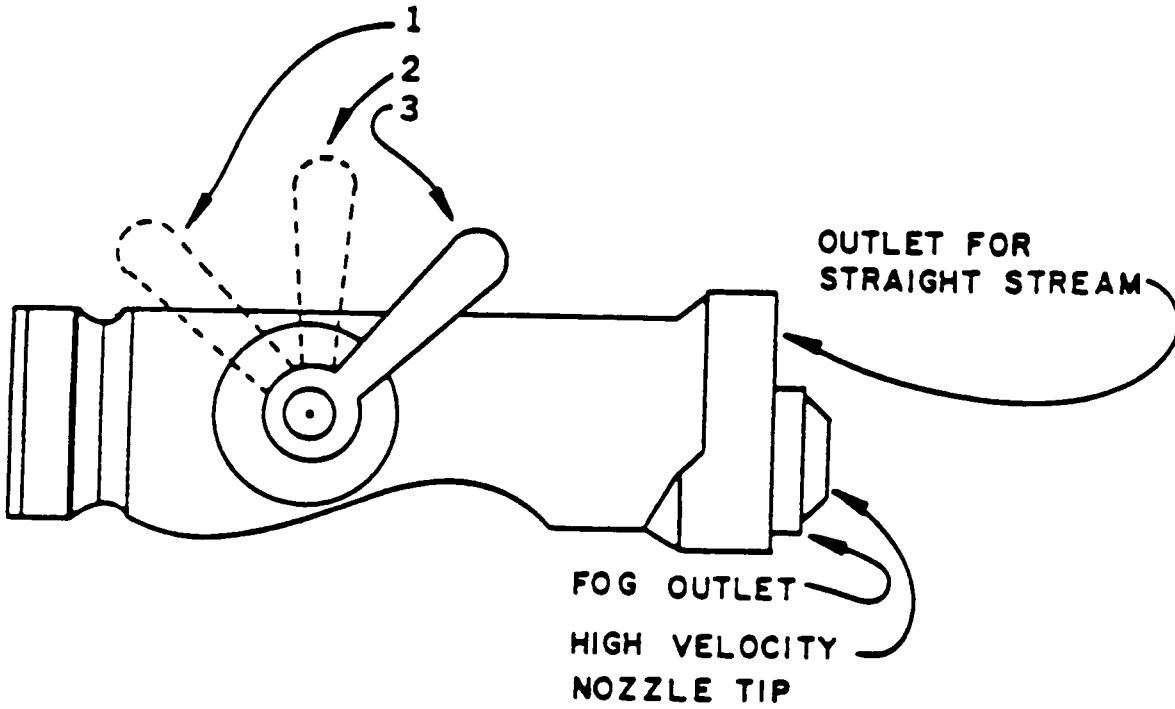


CHAPTER 4
SAFETY

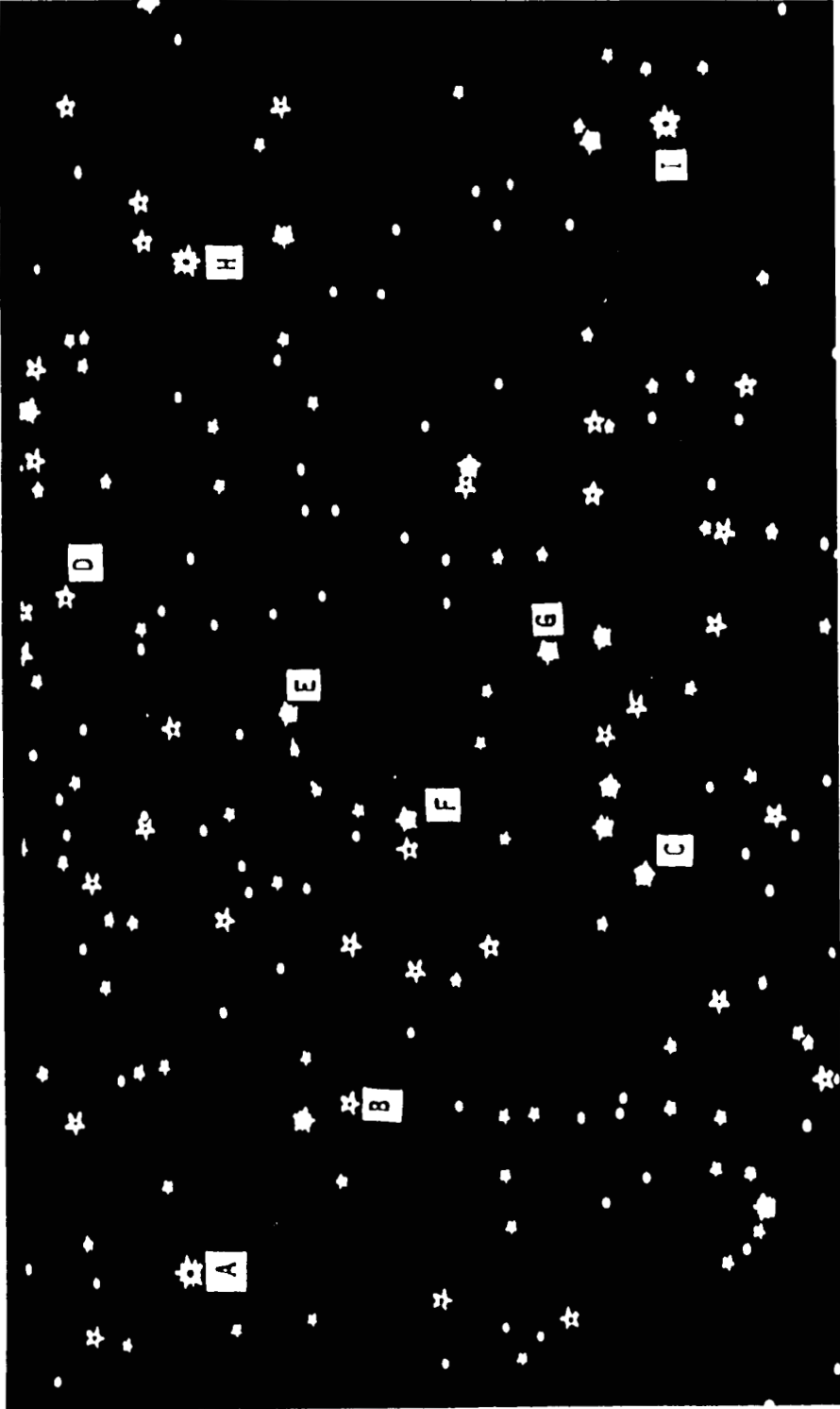


D001SA

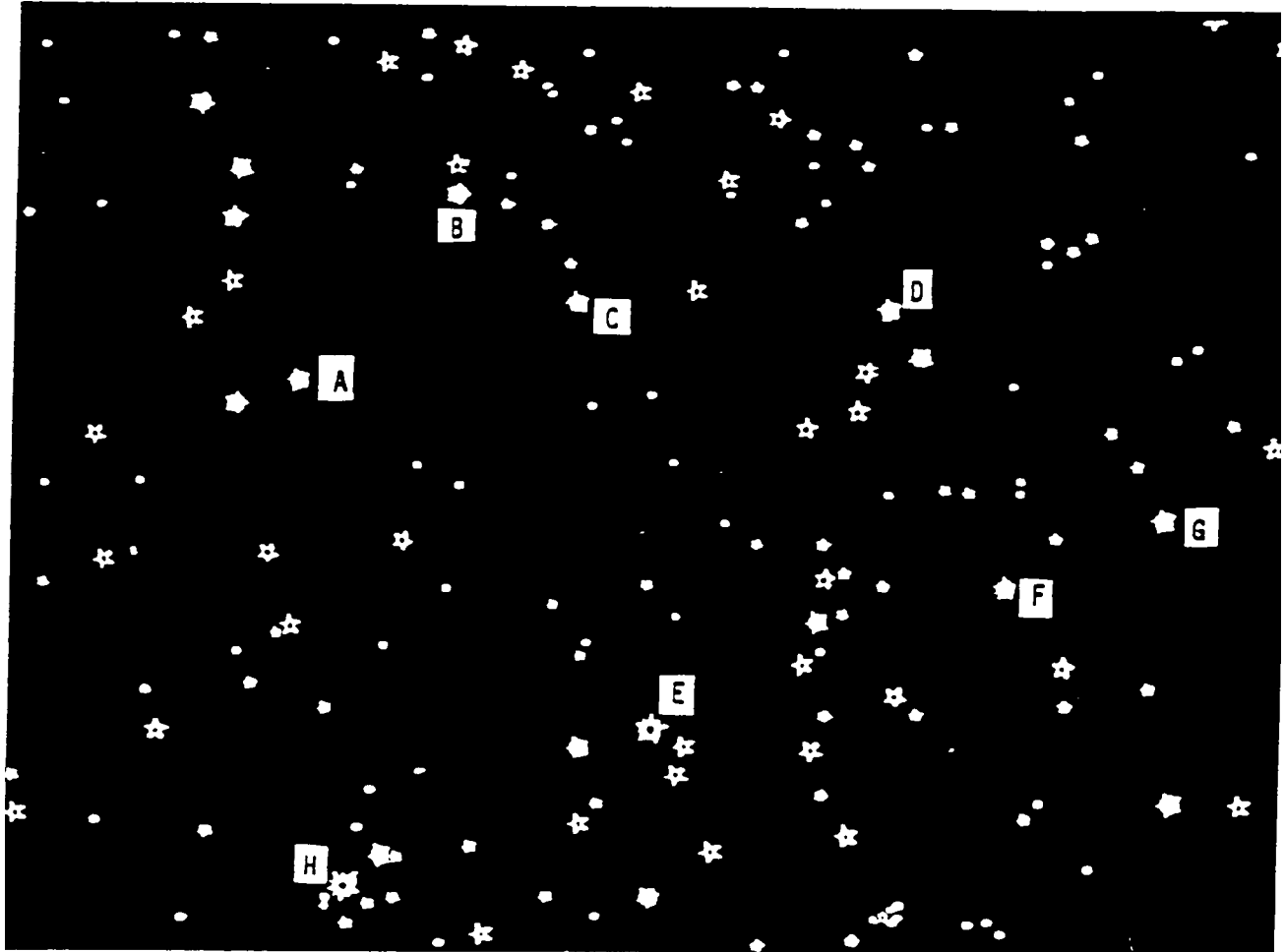
D002SA AND D003SA: RESERVED



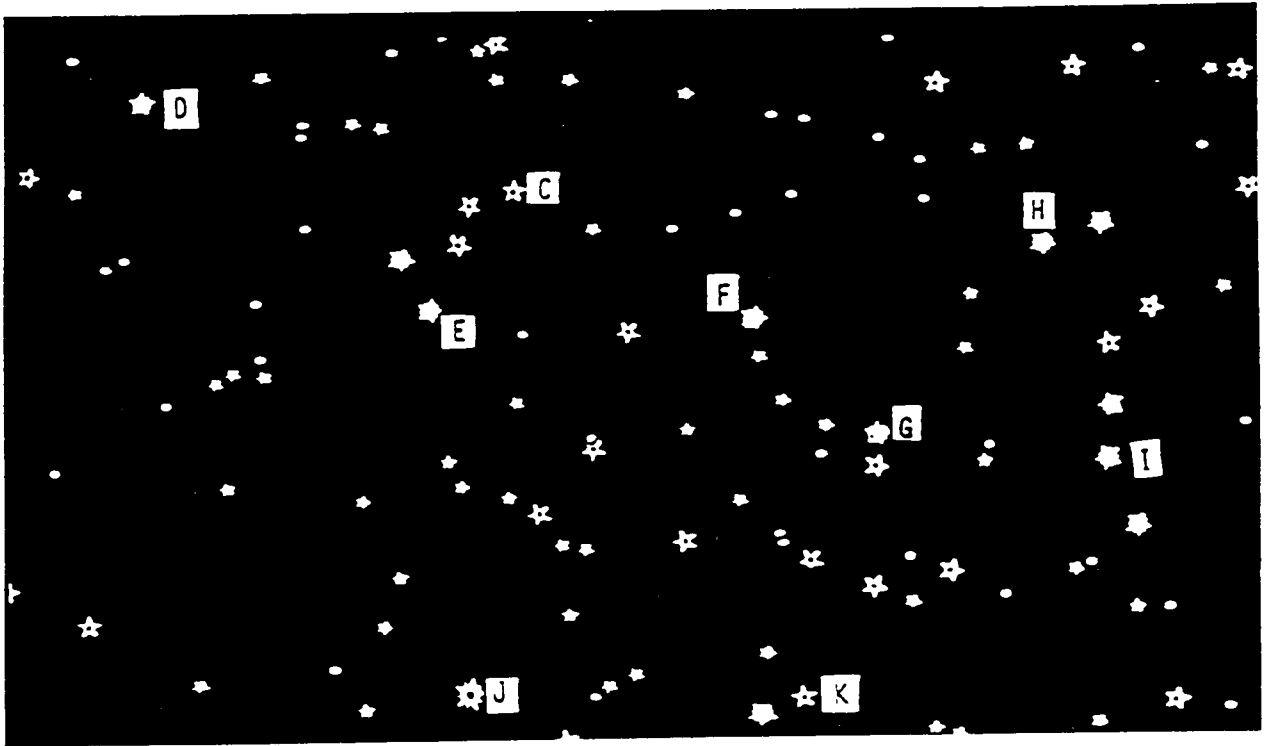
D004SA



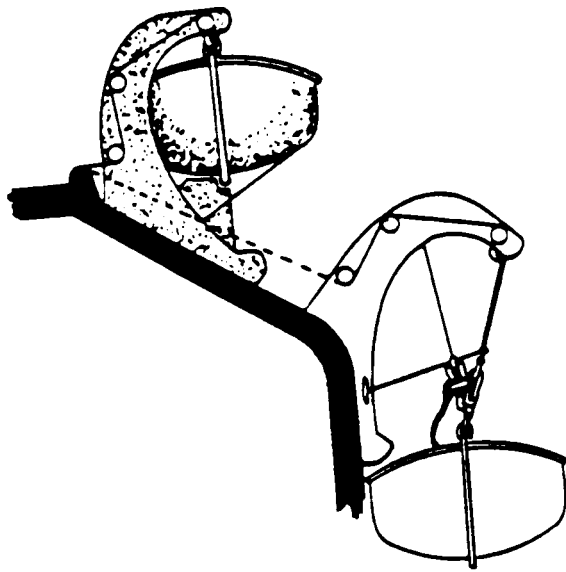
D0055A



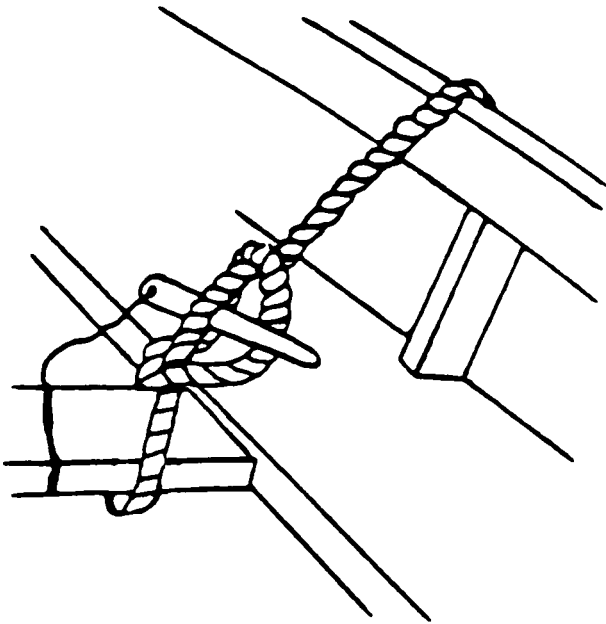
D006SA



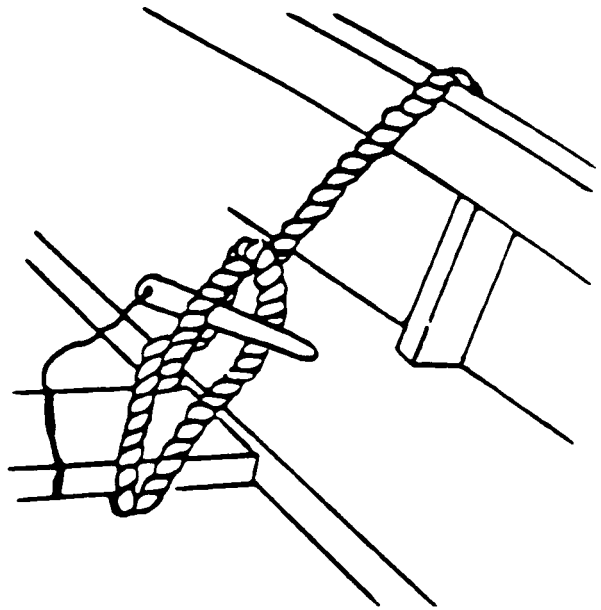
D007SA



D008SA

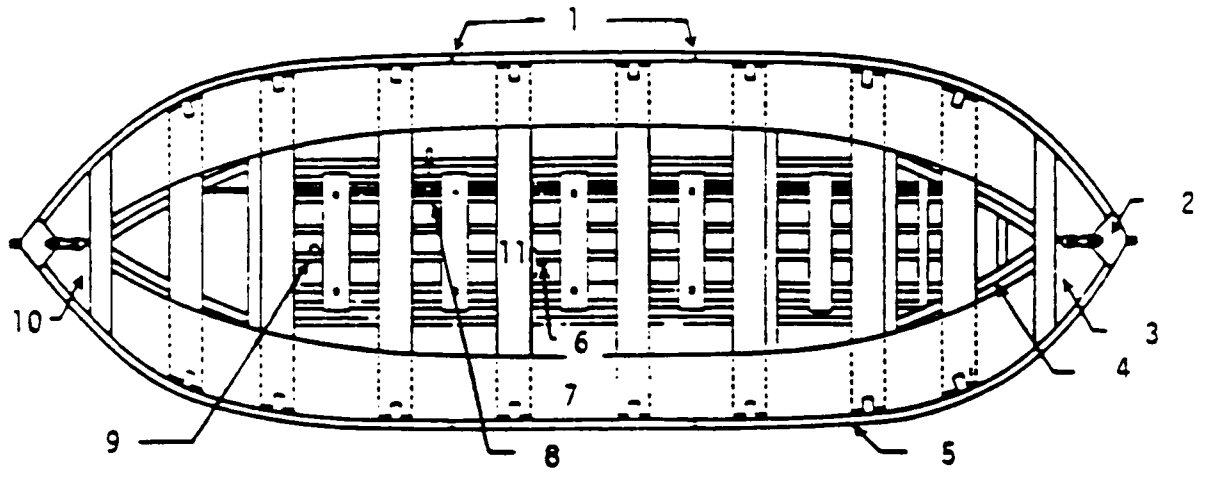


1

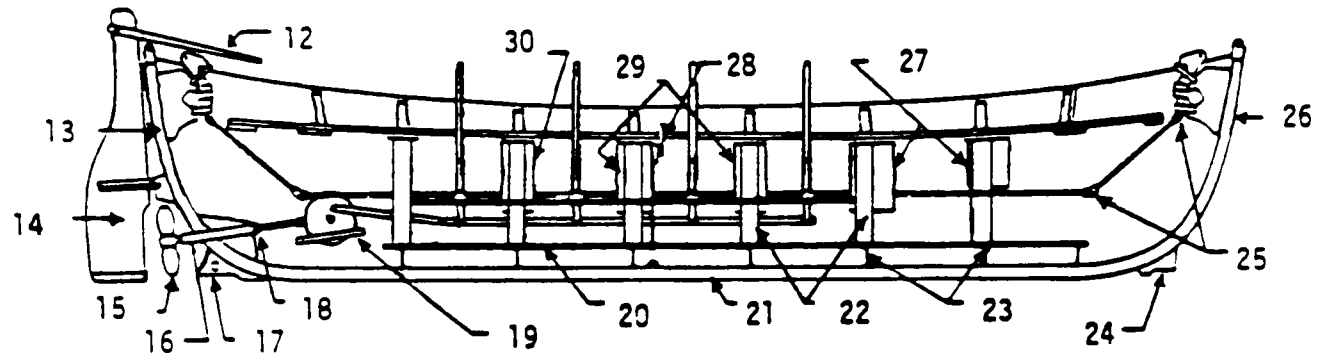


2

D009SA

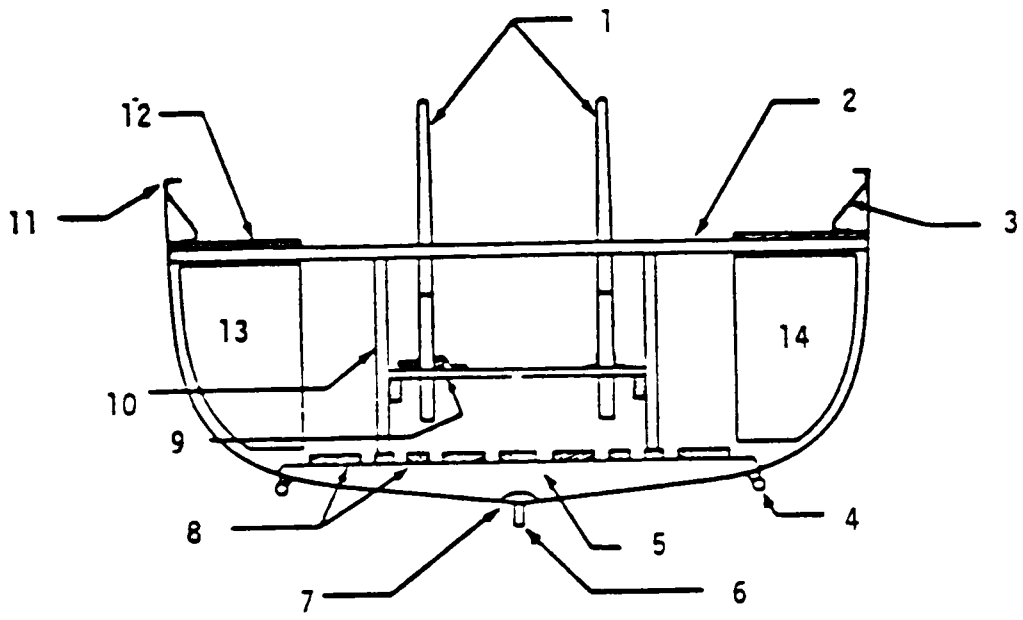


HAND-PROPELLED LIFEBOAT
View from above

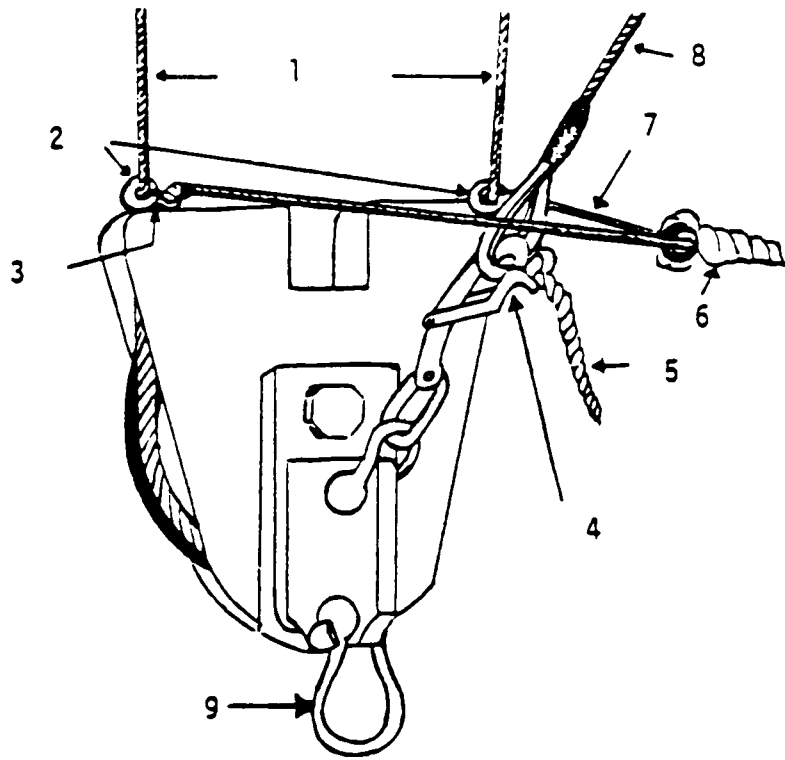


HAND-PROPELLED LIFEBOAT
Profile view

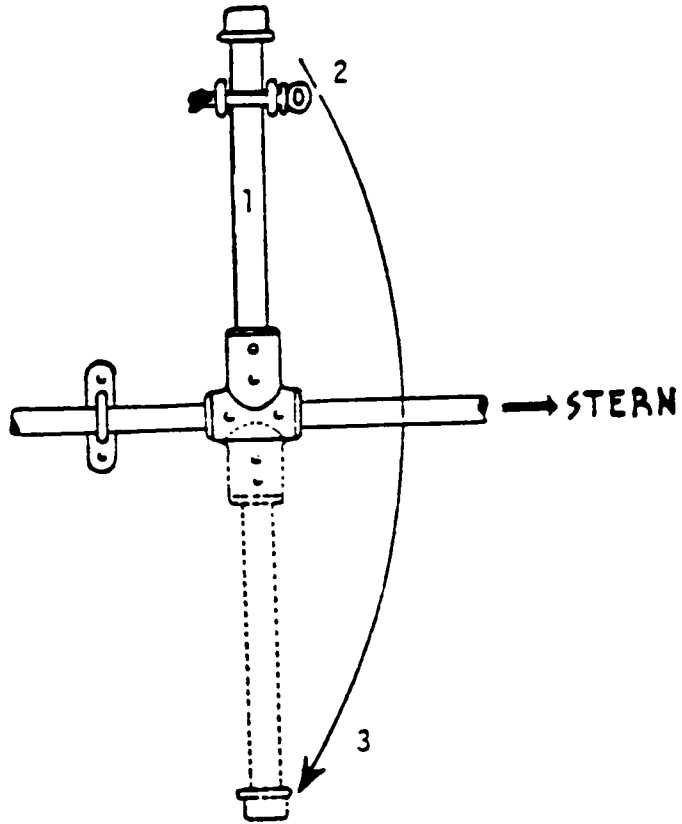
D010SA



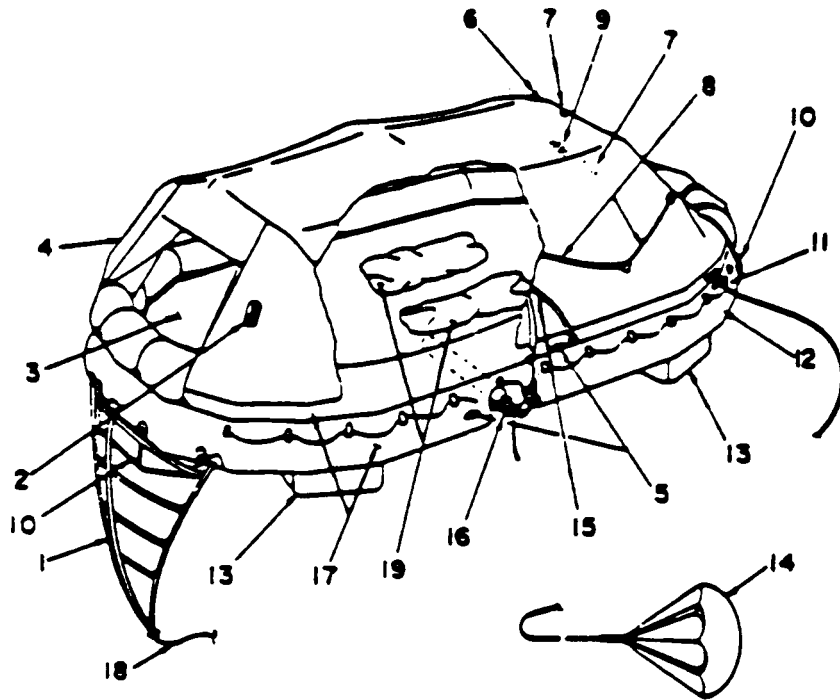
D011SA



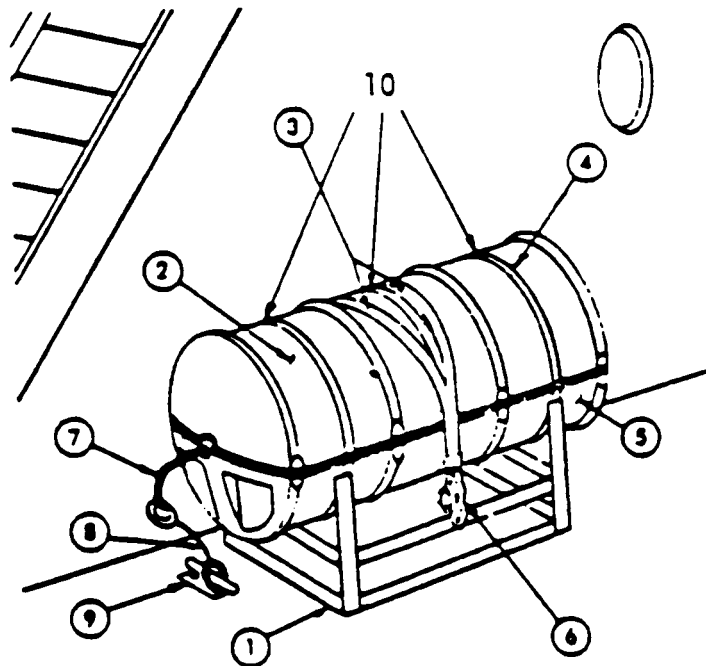
D012SA



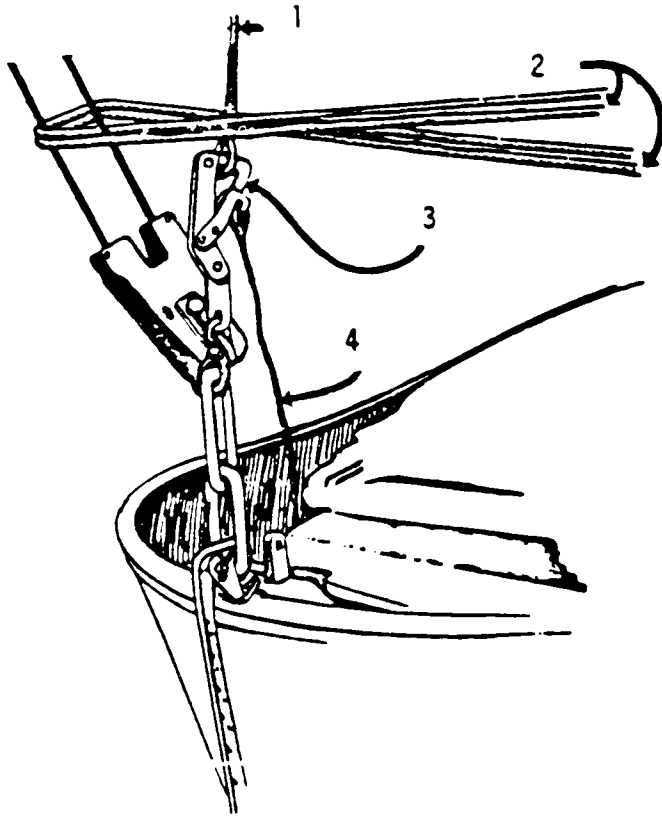
D013SA



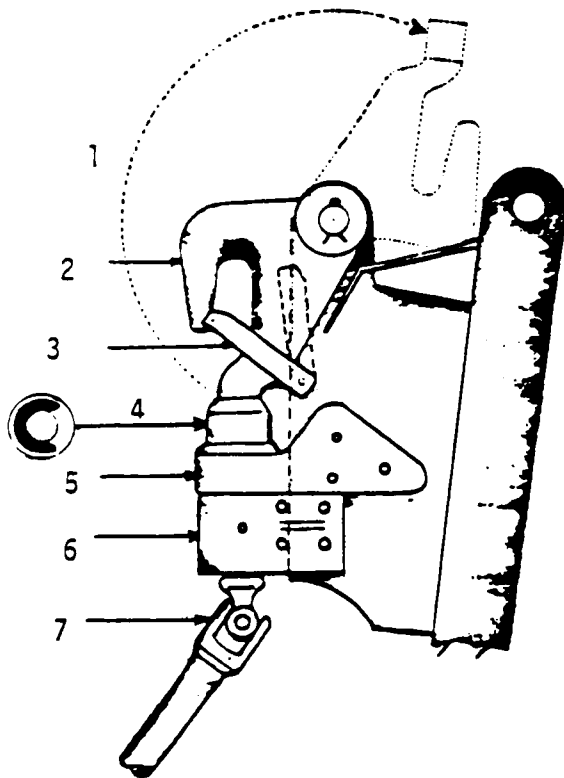
D014SA



D015SA



D016SA



D017SA